



# PLASTEEL

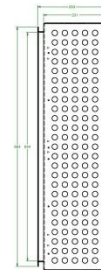
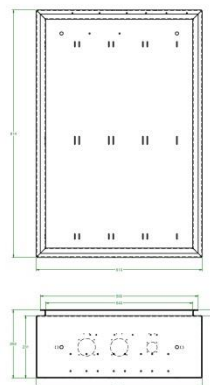
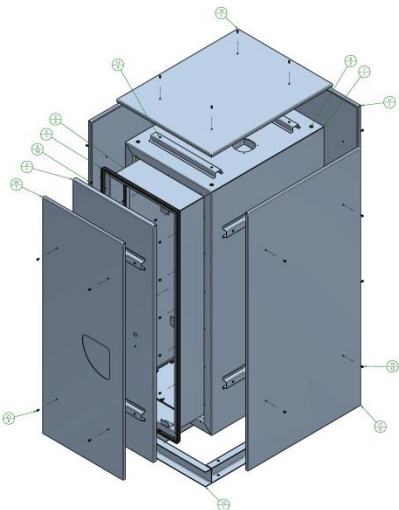
## COMPANY/COMPETENCY OVERVIEW

- Latest CNC machines in laser cutting, punching , folding
- Precision Engineering and Metal Products Manufacturers
- CNC Laser Cutting to 5 Kilowatt
- CNC Punching (multiple tools)
- Precision folding (five axis) 220 tonne up to 4100m long
- CNC 4 Axis milling and 2 Axis Lathe with Auto Bar Feeder
- MILSPEC MIG and TIG Welding (steel, aluminum and stainless steel)
- Project Management with 3D (Solid works CAD Modeling)
- Welding to MILSPEC specifications
- Full traceability on materials and high level document control
- Product finishing to Military Specifications

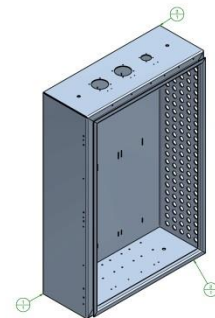


## DESIGN CORE

- Solid Works Modelling software-2008
- NX Cam Express 2.5 2008



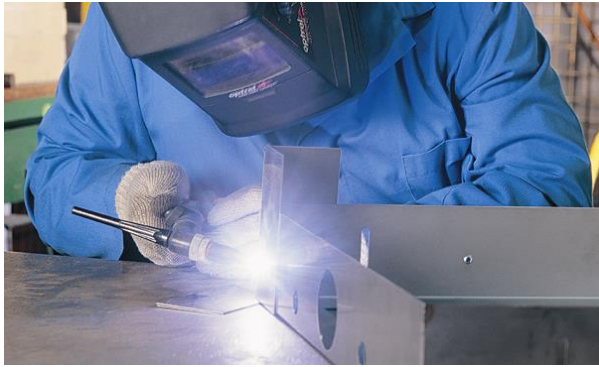
Part Number	Qty	Notes	Quantity
1	1	1	1
2	1	1	1
3	1	1	1



© 2008 PLASTEEL

## COMPETITIVE DISCRIMINATORS

- Fully integrated business software for manufacturing, accounting & Shipping
- Strict controls, secure areas and legitimate understanding of standards
- Quick turn around and flexible facilities



## CAPABILITY

- Precision Fabrication
- MILSPEC Welding
- CNC Process Engineering Services



## CERTIFICATIONS / ACHIEVEMENTS

- "ISO9001:2015 Certified by HRI Assurance Services
- SAI Global Quality Systems Small Business 2011 Winner
- Top three SME DTC awards 2011
- National Manufacturer of the Year Award Winner 2017, National Finalist Manufacturer of the Year 2019, National SME of the Year 2020



## CONTACT

P: +61 8 8276 3366

E: [ian.johnston@plasteel.com.au](mailto:ian.johnston@plasteel.com.au)

## ADDRESS

4 Manfull Street  
Melrose Park SA 5039



[www.plasteel.com.au](http://www.plasteel.com.au)